

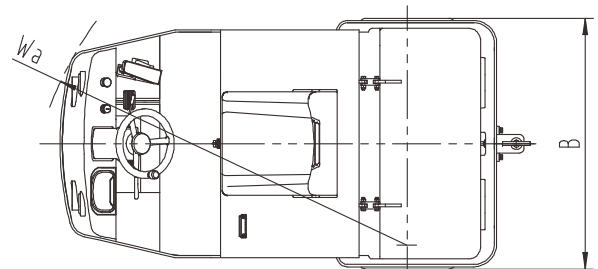
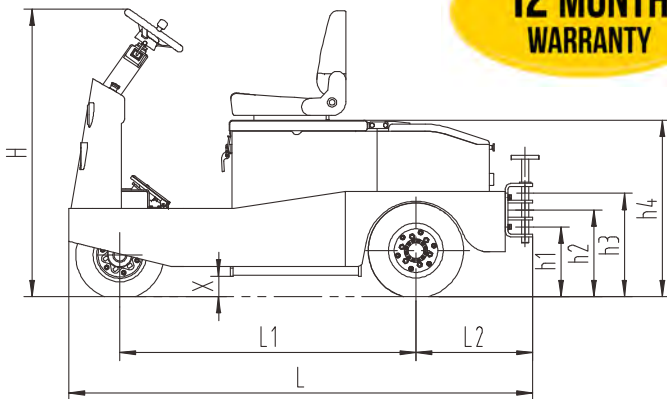


SITECRAFT HEAVY DUTY ELECTRIC TOW TRACTOR

- > Towing capacities from 2000 kg to 6,000 kg
- > **Full AC electric system** has a brake-releasing function, making the unit easy and effortless to operate; The maintenance-free motor completely solves the issues of DC motor carbon brush.
- > Batteries located in the lowest part of frame ensures excellent stability
- > Quick open back service cover for easy maintenance and part replacement
- > CANbus technology reduces wiring complexity and increases reliability
- > H type axle design provides excellent stability
- > New high-range steering design; light steering and easy to maintain.
- > New large-screen instrument display provides information clearly and directly to the operator.



**12 MONTH
WARRANTY**



Model		ST-2000AC	ST-3000AC	ST-5000AC	ST-6000AC
Towing Capacity	Kg	2000	3000	5000	6000
Drawbar Centre Height	h1/h2/h3 mm	280/350/420	280/350/420	280/350/420	280/350/420
Motor	Kw / V	3Kw / 36V	3Kw / 36V	5Kw / 48V	5Kw / 48V
Total Size	L x B x H mm	1720 x 968 x 1270	1720 x 968 x 1270	1975 x 1100 x 1270	1975 x 1100 x 1270
Total Weight (With Batteries)	Kg	740	780	1240	1280
Wheel Size	Solid Rubber	15*4-8	15*4-8	15*4-8	15*4-8
Wheelbase	L1 mm	1055	1055	1280	1280
Rear Hanging Distance	L2 mm	382	382	500	500
Seat Height	h4 mm	910	910	910	910
Ground Clearance	X mm	90	90	90	90
Turning Radius	Wa mm	1500	1500	1650	1650
Maximum Speed	Km/h	10	8	14	12
Battery	V/Ah	36/200	36/250	48/360	48/400
Battery Weight	Kg	200	250	610	650
Charger	On-board V/Ah	36/30	36/30	48/50	48/50



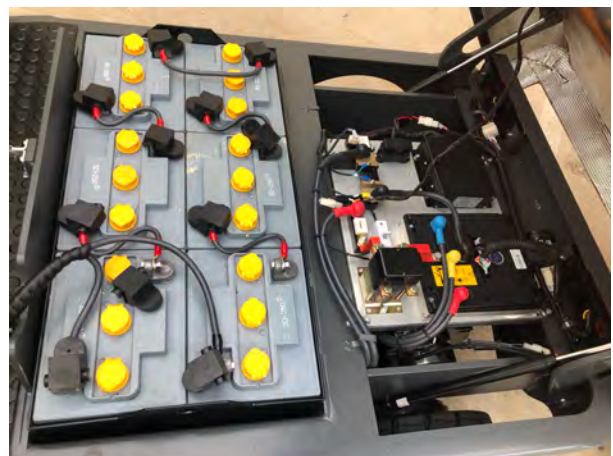
SITECRAFT HEAVY DUTY ELECTRIC TOW TRACTOR



Sitecraft ST3000-AC tow tug moving 660 & 1100 litre bins



Sitecraft ST3000-AC tow tug moving 660 & 1100 litre bins



ST3000-AC tow tug complete with 6 x 250AH heavy duty batteries



Optional steel / aluminium trailers for moving waste bins, linen trolleys, food trolleys, delivery boxes, etc ...