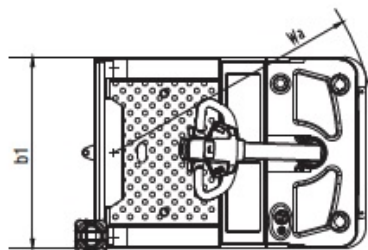
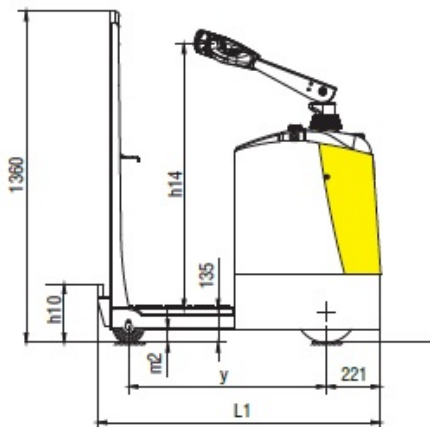




SITECRAFT HEAVY DUTY STOCKCHASER - 450KG CAPACITY

- > Smoothly steering system is easy operation , flexibly and more safely.
- > With powerful drive motor , great grade-ability can reach 8% with full towing cap
- > Standing driving , floor is No-slip with anti-vibration function, back rest with reversible cushions, reduce fatigue, back cushion height can be adjustable according to the driver's height .
- > Dead-man switch
- > Step-less speed control
- > Sideway battery
- > Built-in Charger



MODEL		QDD20H	QDD30H
Drive type		electric	electric
Operate type		standing	standing
Load capacity	Q(kg/lbs)	2000/4409	3000/6614
Max. rated tractive force	(N)	2000	2500
Drawbar center height	H10(mm/inch)	280/11	280/11
Axle loading, laden front/rear	kg/lbs	360/160 (794/353)	385/175 (849/386)
Axle loading, unladen front/rear	kg/lbs	380/140 (838/309)	405/155 (893/342)
Tyre size, front	mm/inch	φ 250x70/10x2.75	φ 250x70/10x2.75
Tyre size, rear	mm/inch	φ 200x50/8x2	φ 200x50/8x2
Wheels, number front rear(x=driven wheels)		1X+2	1X+2
Height of tiller in drive position min./max.	h14(mm/inch)	1010/1350 (39.76/53.1)	1010/1350 (39.76/53.1)
Overall length	l1(mm/inch)	1273/50	1273/50
Overall width	b1(mm/inch)	773/30.4	773/30.4
Aisle width	Ast(mm/inch)	1473/58	1473/58
Turning radius	Wa(mm/inch)	1070/42.1	1070/42.1
Travel speed, laden/unladen	Km/h	7/7.1	6.5/7.1
Battery voltage, nominal capacity K5	V/Ah	24/210	24/240
Battery weight	Kg/lbs	196/432	240/529
Batteries dimentions(LxWxH)	mm/inch	750x170x534/29.5x6.7x21	750x170x570/29.5x6.7x22.4
Service weight (with battery)	kg/lbs	520/1146	560/1235